



Note: iPad not included.

## PT-Elite

### Elite iPad Teleprompter Kit

### QUICKSTART GUIDE

---

#### CONDITIONS OF WARRANTY SERVICE

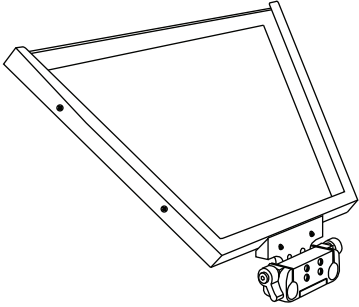
- Free service for one year from the day of purchase if the problem is caused by manufacturing errors.
- The components and maintenance service fee will be charged if the warranty period has expired.

Free Service will not be Provided in the Following Situations: (\*Even if the product is still within the warranty period.)

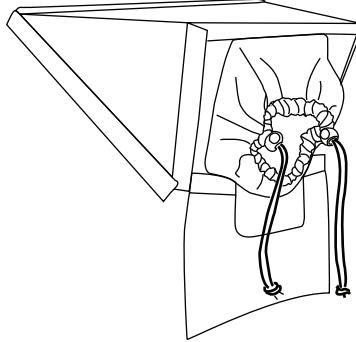
- Damage caused by abuse or misuse, dismantling, or changes to the product not made by the company.
- Damage caused by natural disaster, abnormal voltage, and environmental factors etc.

## Elite iPad Teleprompter Kit QUICKSTART GUIDE

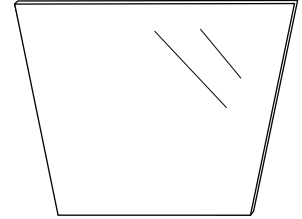
### What's included



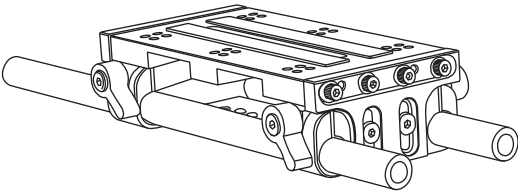
Glass Frame



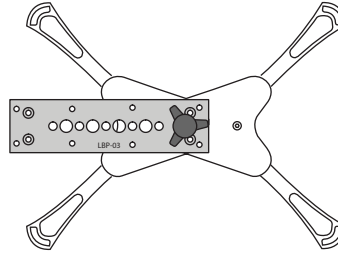
Hood



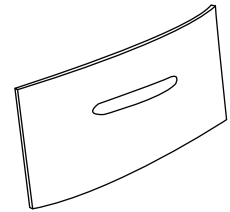
30/70 Prompter Glass



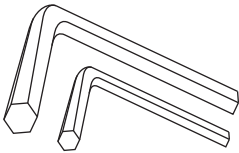
EV2 Adjustable Camcorder Baseplate (Large)



iPad Teleprompter Mount



iPad Protection Bumper



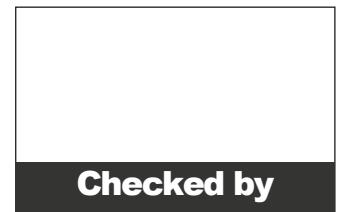
1 x HEX KEY 3mm  
1 x HEX KEY 1/8 inch



1 x D-Ring



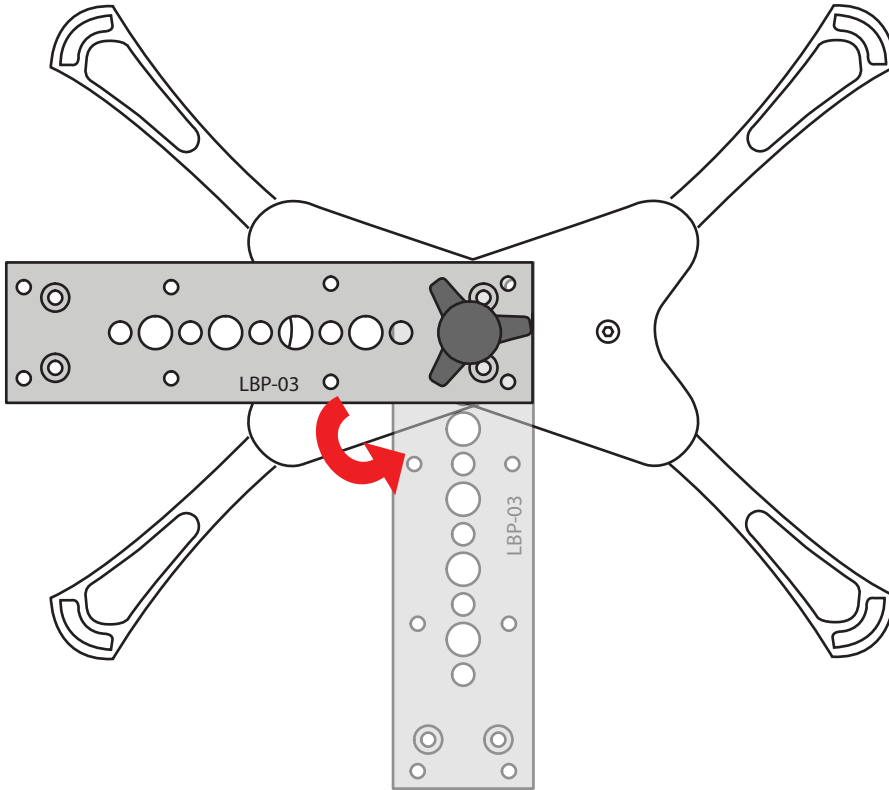
2 x 4mm X 20mm Socket Head Countersink Screw



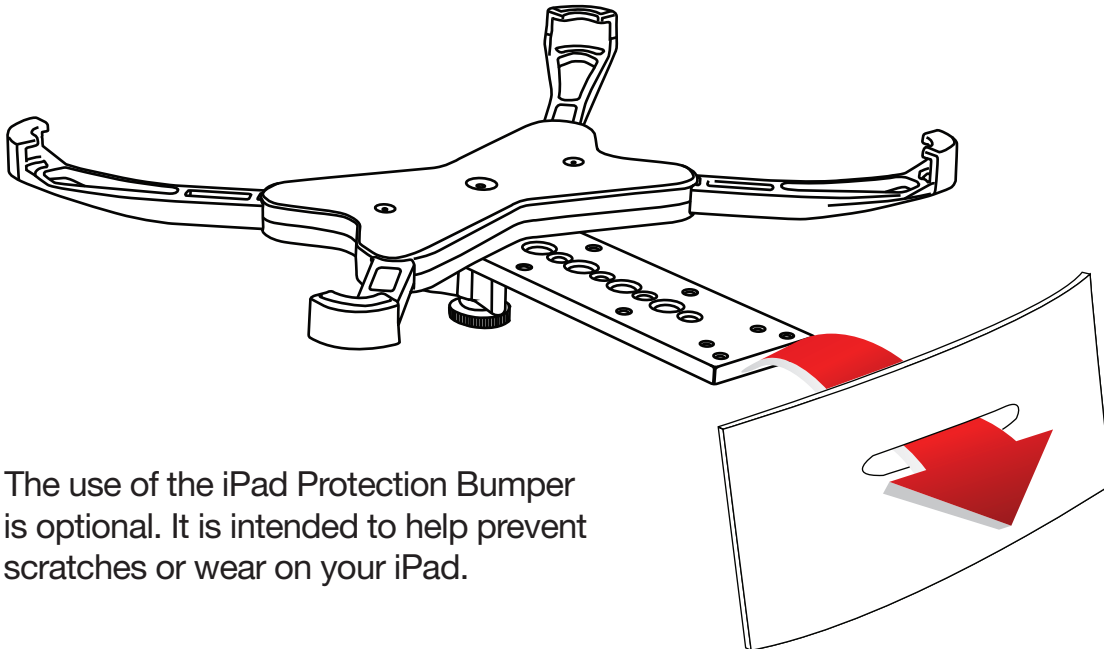
## Elite iPad Teleprompter Kit QUICKSTART GUIDE

### GETTING STARTED

1. Loosen the thumb screw. Turn LBP-03 90° and tighten it.



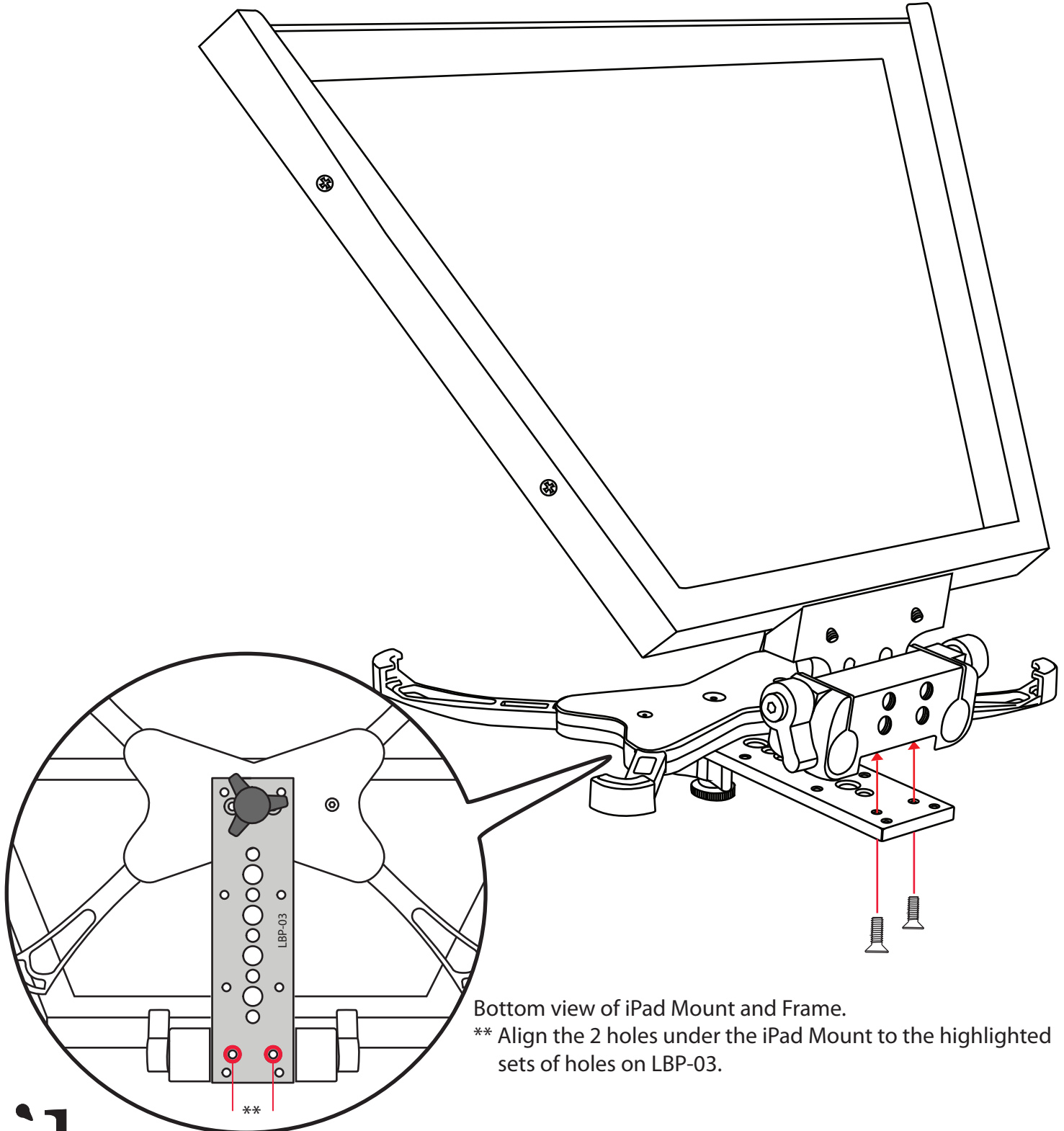
2. Slide the iPad Mount through the iPad Protection Bumper.



Note: The use of the iPad Protection Bumper is optional. It is intended to help prevent scratches or wear on your iPad.

## Elite iPad Teleprompter Kit QUICKSTART GUIDE

3. Fit Frame to iPad Mount. Secure with 2 x Socket Head Countersink Screw.

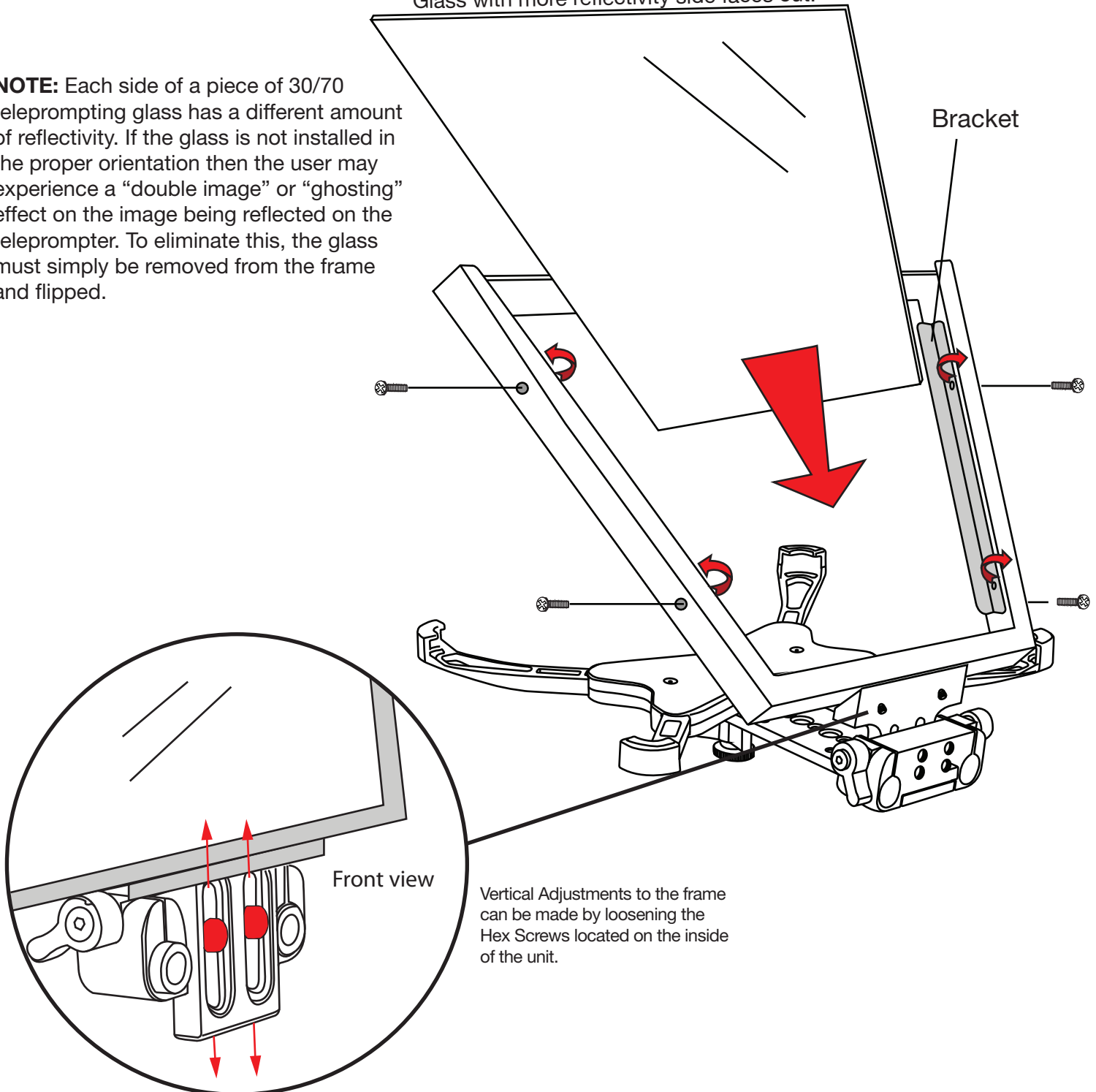


## Elite iPad Teleprompter Kit QUICKSTART GUIDE

4. Remove 4 x small frame screws and 2 x brackets. Insert prompter glass into frame. Secure prompter glass by replacing brackets and screws.

**NOTE:** Each side of a piece of 30/70 teleprompting glass has a different amount of reflectivity. If the glass is not installed in the proper orientation then the user may experience a “double image” or “ghosting” effect on the image being reflected on the teleprompter. To eliminate this, the glass must simply be removed from the frame and flipped.

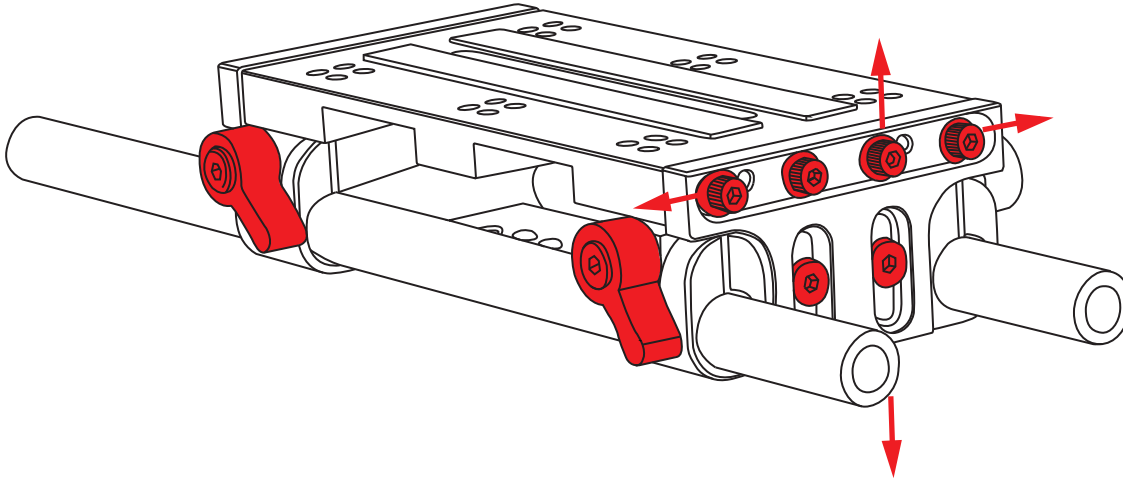
\*\* Glass with more reflectivity side faces out.



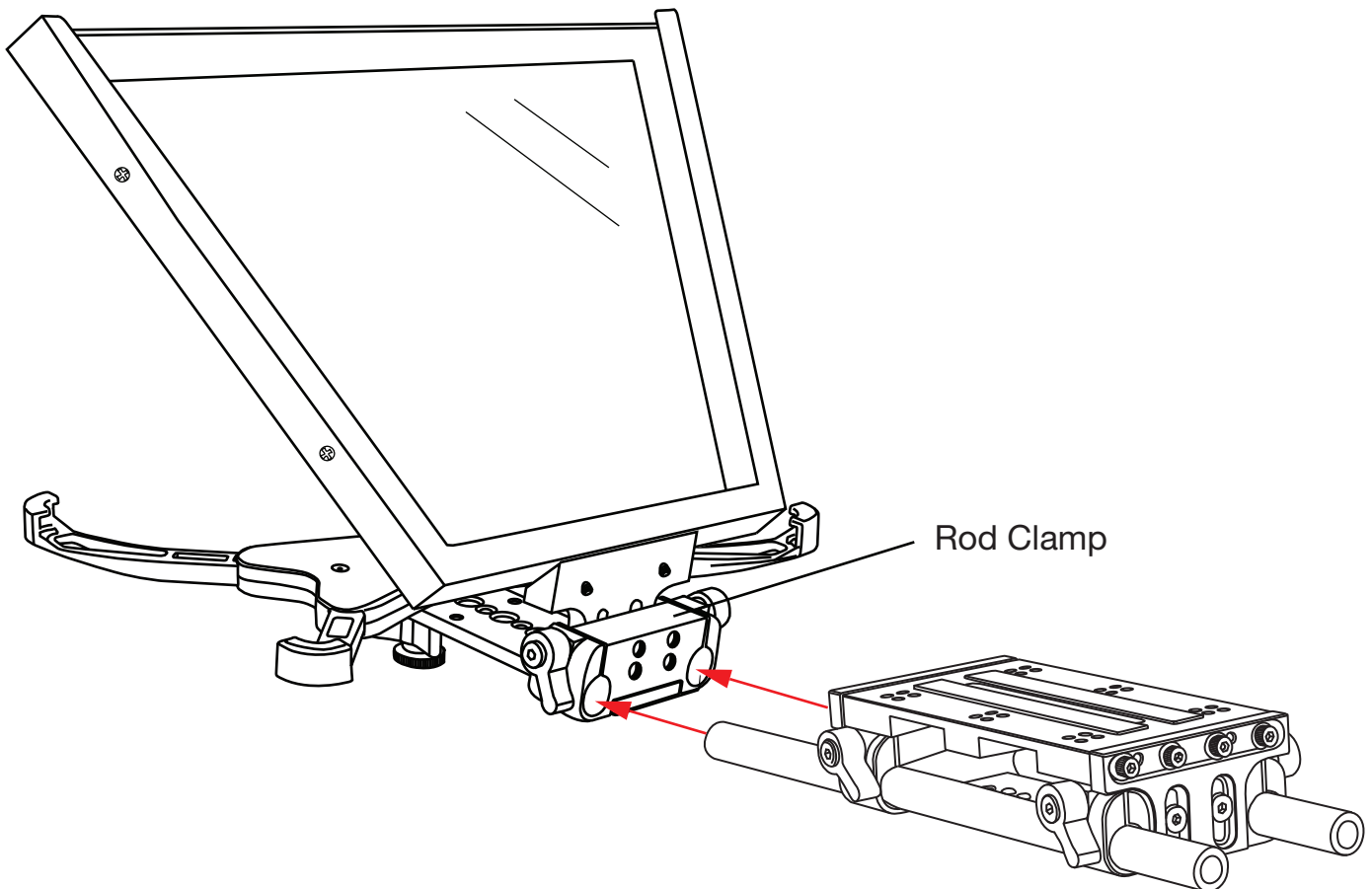
## Elite iPad Teleprompter Kit QUICKSTART GUIDE

### ADJUSTMENT POINTS *(adjust to fit your camera size)*

Numerous Adjustment Points allow for precise positioning modifications. Loosen Thumb Screws to move forward/backwards along 12" Rods. Loosen Hex Screws to make vertical and horizontal adjustments.

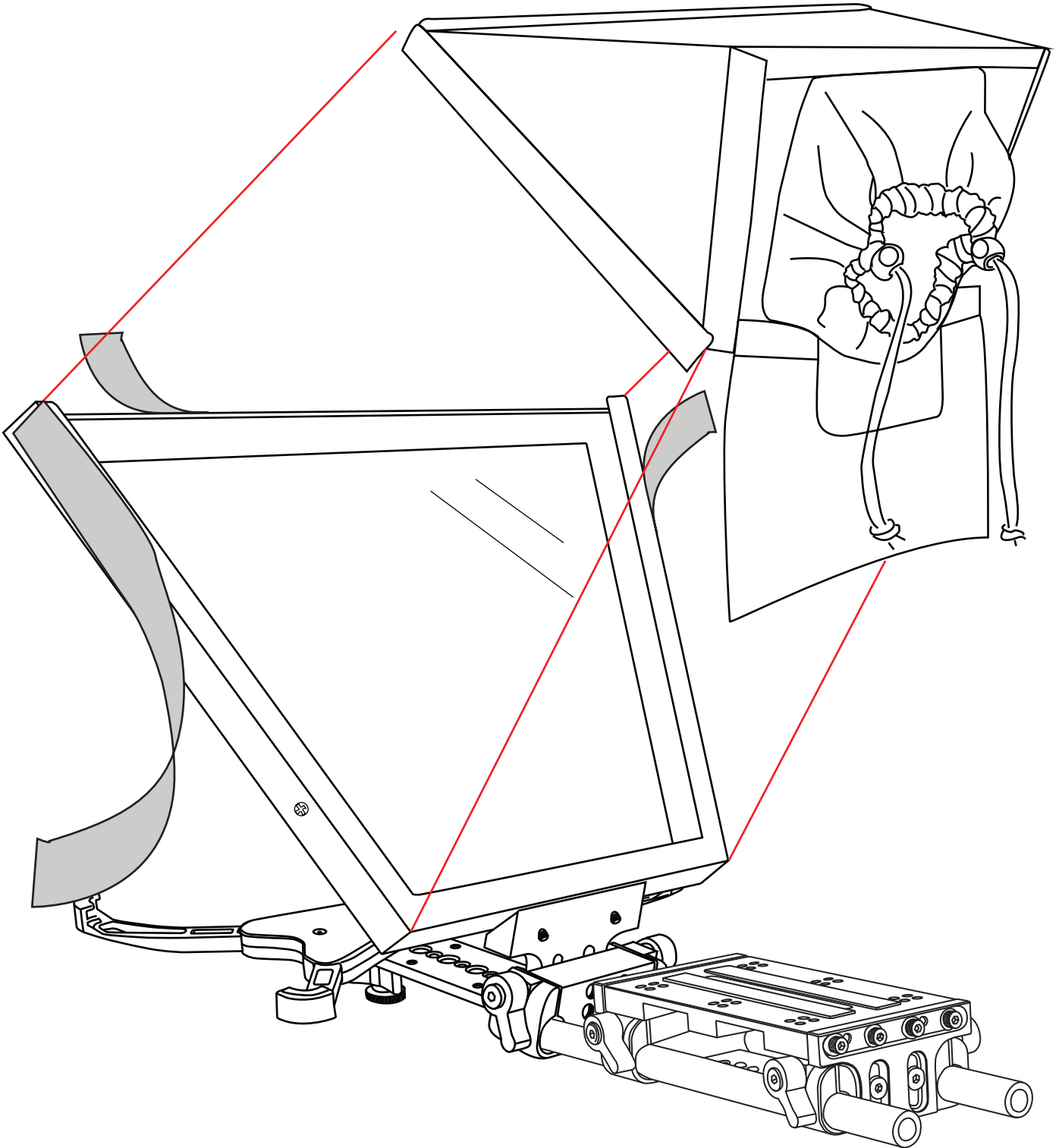


5. Secure Large Baseplate rods to Rod Clamp.



## Elite iPad Teleprompter Kit QUICKSTART GUIDE

6. Apply Velcro to Glass Frame border. Attach Hood.



## Elite iPad Teleprompter Kit QUICKSTART GUIDE

### QUICK RELEASE MOUNTING OPTIONS

The ikan Large Baseplate is compatible with both the Canon TA100 and ikan-WDGL Tripod Adapter Systems. Simply mount your Quick Release Plate to the bottom of the Large Baseplate component on the appropriate end, using four (4) Socket Head Countersink Screws.

