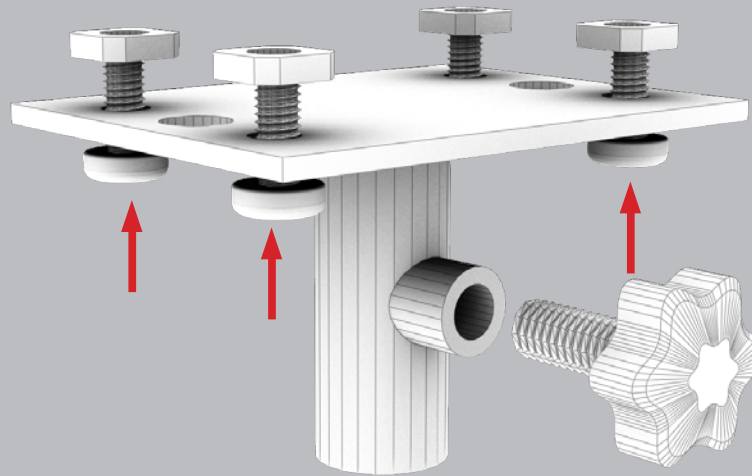


TP-SA

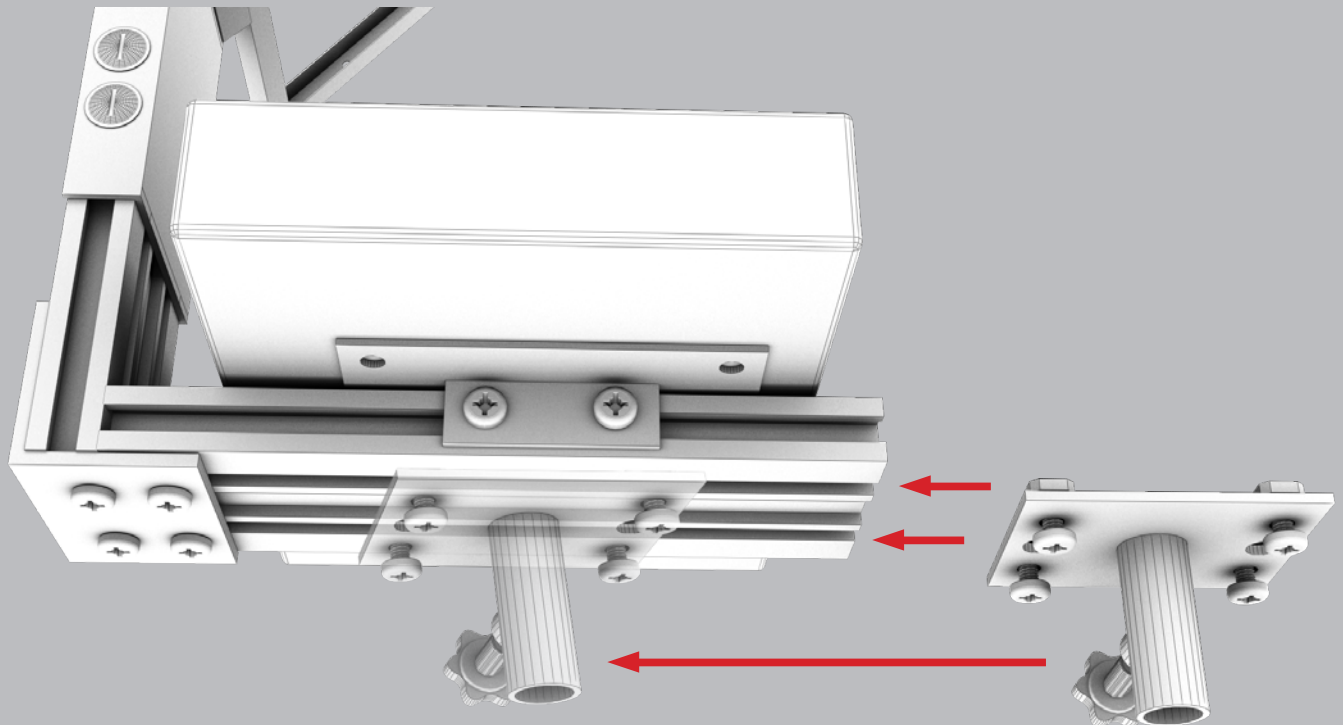
Teleprompter Stand Adapter

INCLUDES FOUR 6 X 1.0 SCREWS
FOUR 6 X 1.0 LUG NUTS

A



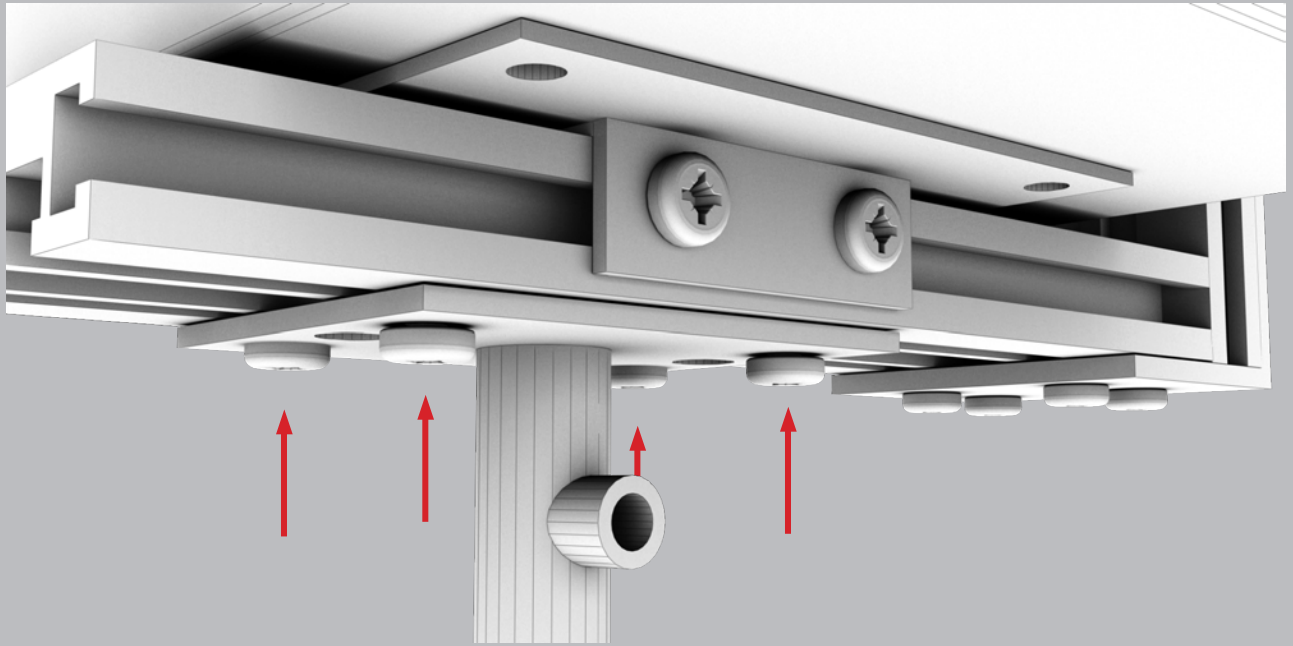
B



TP-SA

Teleprompter Stand Adapter

C



***STAND MUST SUPPORT 15 POUNDS - HEAVY DUTY STAND REQUIRED**